

A HAND – PUSHED GARLIC – ONION PLANTER

USER MANUAL

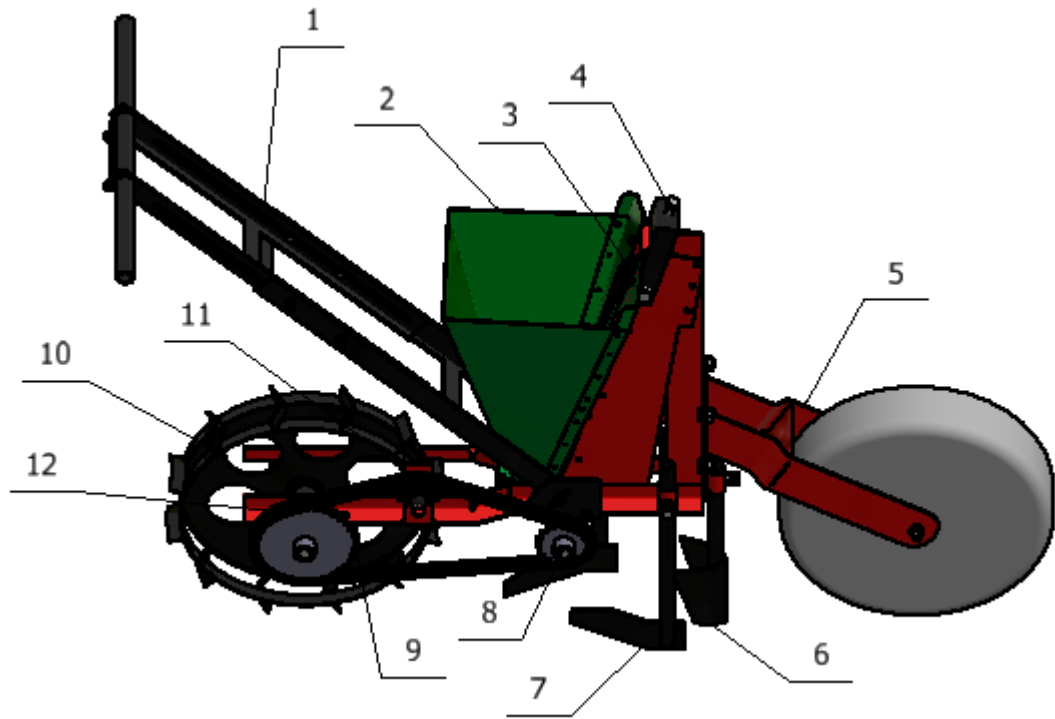
Contact our Customer Service Department with any questions or concerns.

- **www.agrodealer.eu**
- **info@agrodealer.eu**
- **+37066597880**

SUMMARY

Identification and characteristics	3
Planter's technical specifications	4
Assembly guide	4
Cautions of use	6
Settings	6
Planting density	9
Diameters of buckets	10
Using planter as an attachment	10
Spare parts	12
EC DECLARATION OF CONFORMITY	15

Identification and characteristics



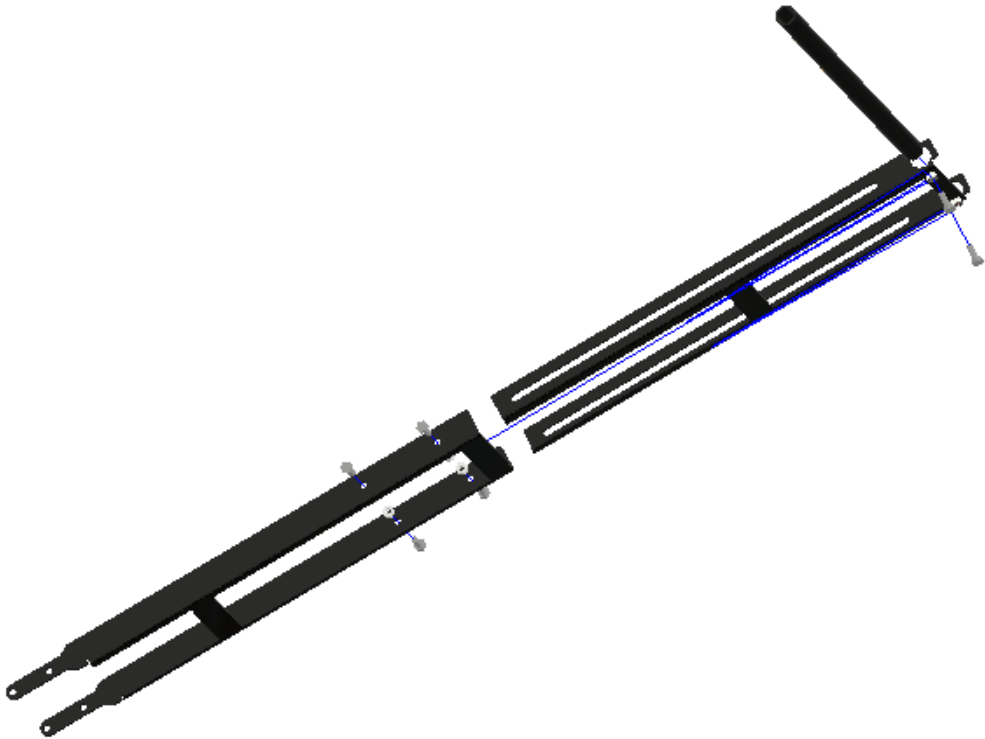
1. height and angle adjustable handle
2. a hopper
3. a chain with buckets
4. a tensioner bolt to control the tension of a chain with buckets
5. a front wheel that can be disconnected to connect the planter to the walk-behind or compact tractor through a hitch bar
6. a shoe
7. a soil cover
8. a pitch sprocket
9. a driven sprocket
10. a rear wheel
11. an idler sprocket
12. a roller chain

Planter's technical specifications

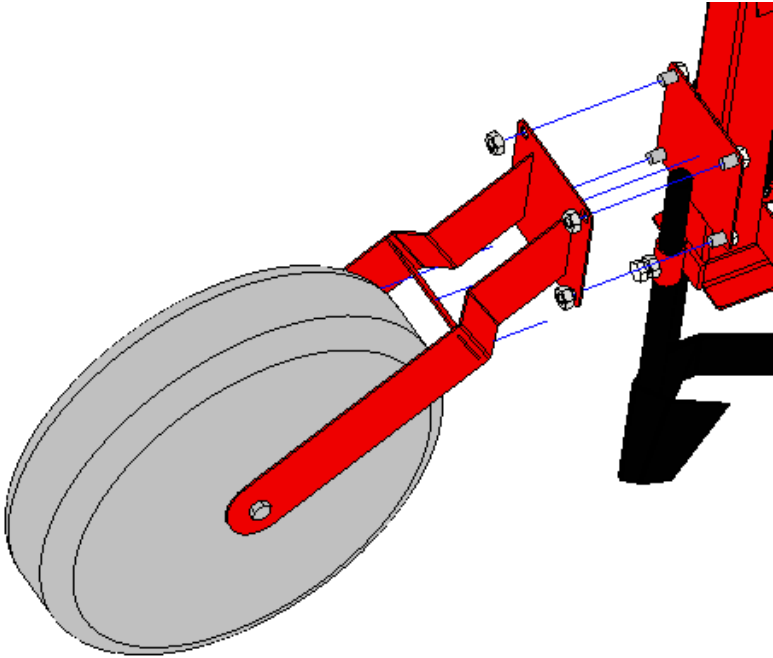
number of rows	1
quantity of hopper	1
capacity of the hopper	6 liters
depth of planting	up to 200 mm
dimensions (length x width x height)	1250 mm x 300 mm x 900 mm
weight	21 kg
seed spacing	from 100 mm till 200 mm

Assembly guide

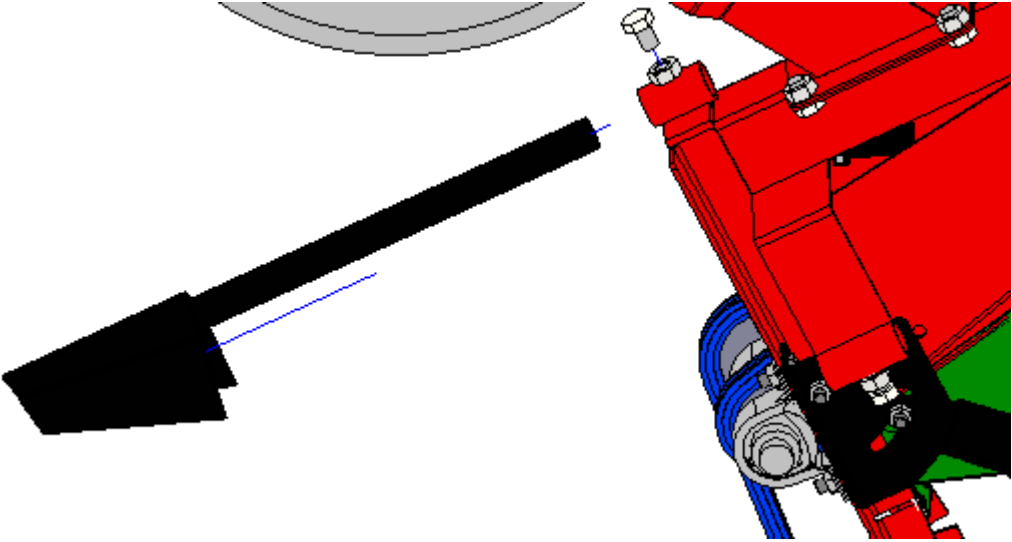
- Assembly and attaching of handle



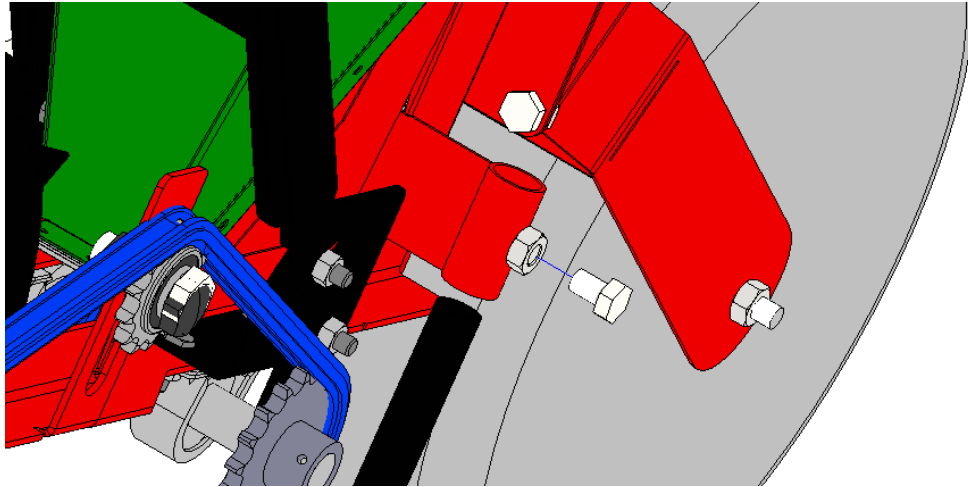
- Attaching front wheel



- Attaching the shoe



- Attaching the soil covers

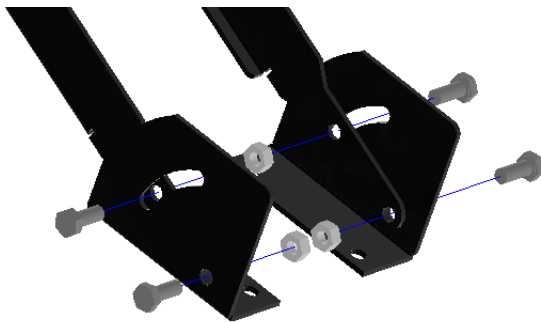


Cautions of use

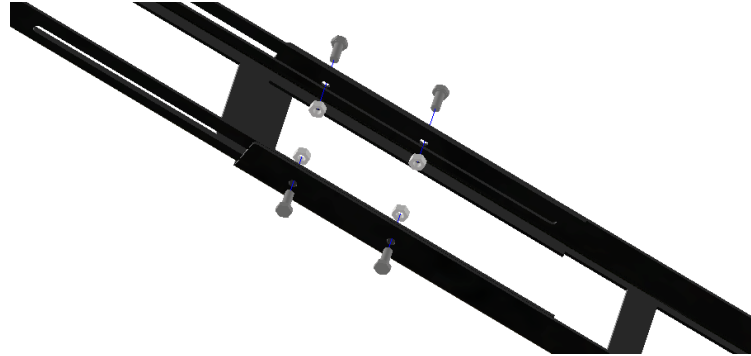
- Lubricate both chains
- Check regularly:
 - a tension of a roller chain
 - a tension of a chain with buckets
 - a depth of a shoe
 - a depth and position of soil covers

Settings

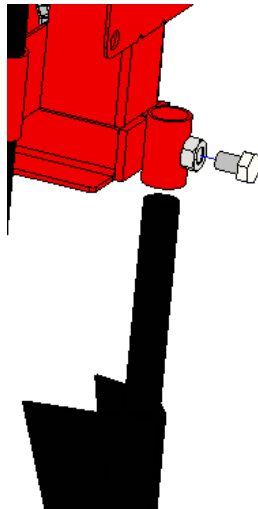
- Changing angle of handle (the angle of handle can be adjusted by loosening bolts and changing angle of handle):



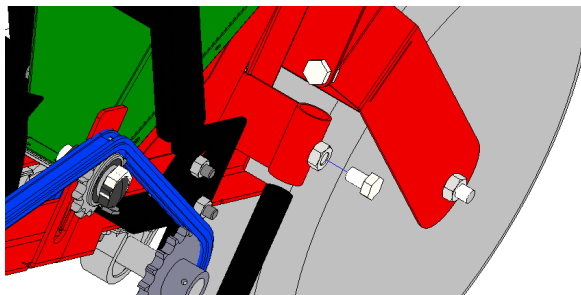
- adjusting height of handle (the handle height can be adjusted by loosening bolts and by adjusting handle's height according to your needs):



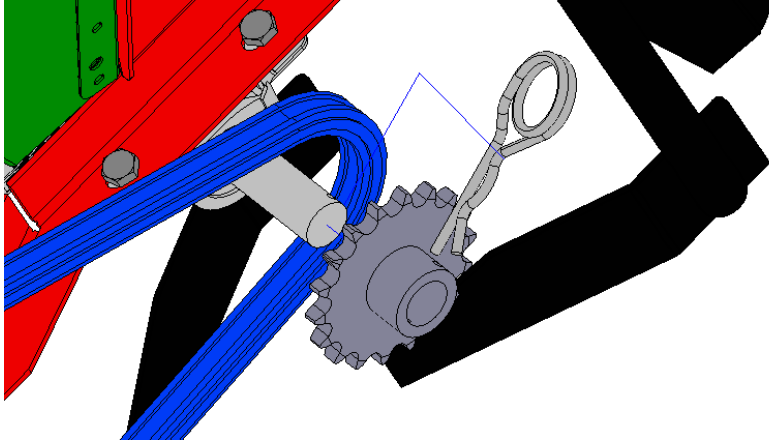
- Adjusting planting depth (planting depth may be adjusted by lowering or raising the shoe):



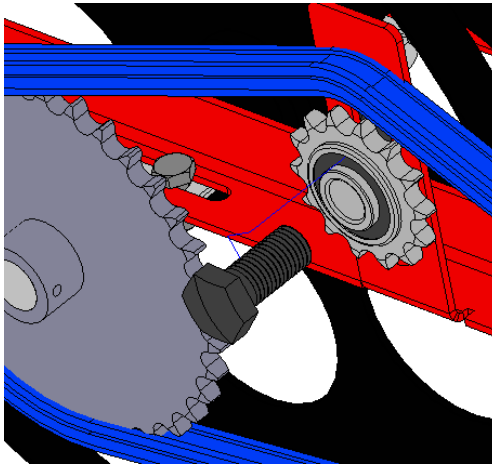
- Adjusting soil covers (adjust the angle of the filler blade for optimal soil cover):



- Changing sprocket to change planting density (Pull out the spring cotter pin and take out the sprocket. Replace it with another size sprocket and put in back the spring cotter pin. See the section – “Planting density” to see what size of sprocket creates distance between planting material in a row):

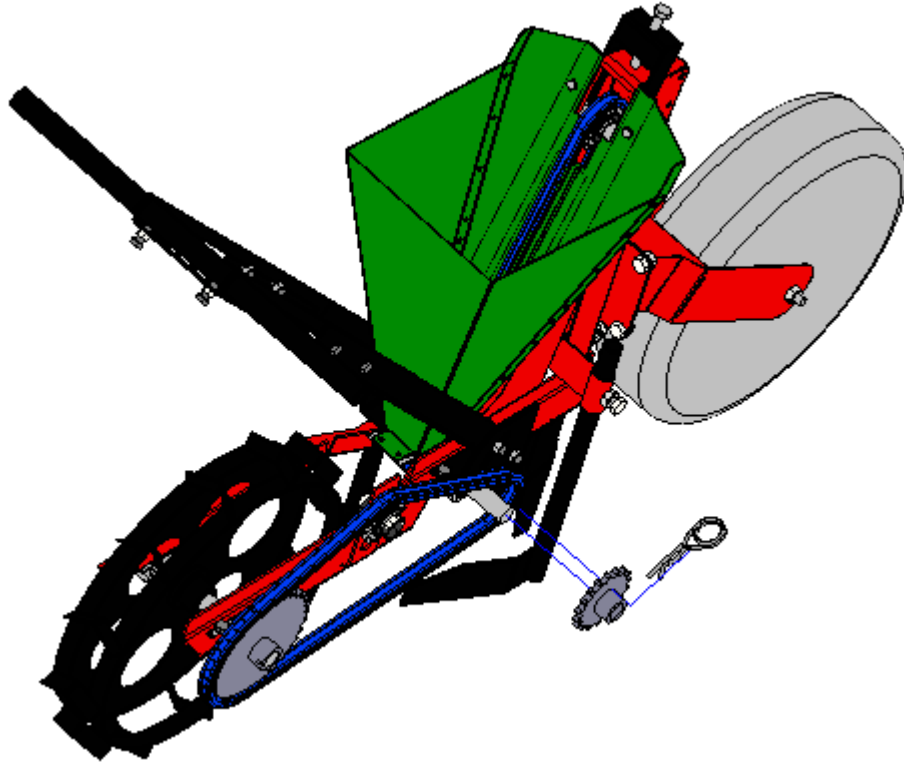


- Changing tension of roller chain after changing sprocket which changes planting density



Planting density

To change a planting density You have to change a pitch sprocket:



Planter's default composition includes 4 different diameters of sprockets to change planting density. If you need other planting densities please tell us before the purchase of the planter and we will provide you with the sprockets (at extra charge) which will create a wanted distance between planting material.

Number of teeth of a pitch sprocket	Distance between planting material in a row
12 teeth	10 cm
14 teeth	12 cm
16 teeth	14 cm
18 teeth	16 cm

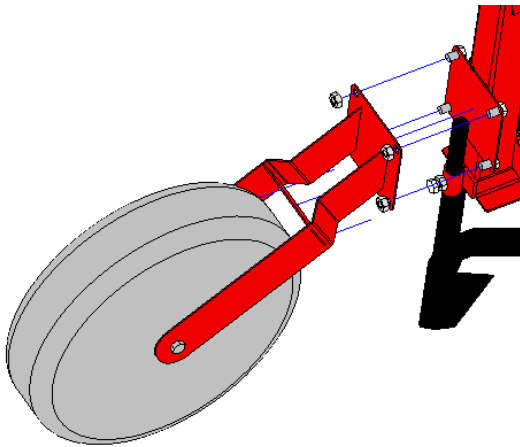
Diameters of buckets

A standard planter's composition includes 4 chains with different diameters of buckets. Each chain uses 21 buckets. There are 4 different diameters of buckets:

Diameter of bucket	Name of vegetable to which bucket's size if the best to plant
16 mm	round onion sets, beans, pumpkin seeds
25 mm	elongated shape onions, spring garlic cloves
31 mm	Autumn garlic cloves
38 mm	Autumn garlic cloves

Using planter as an attachment

It's possible to use planter as an attachment to a walk-behind, compact tractor, or any other normal-size tractor. To do that you have to disconnect front wheel:

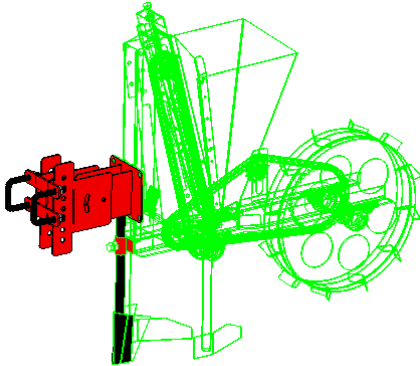


There are different adjustable tool carriers that are used to connect the planter to a certain tractor. They are not included in the standard planter's composition.

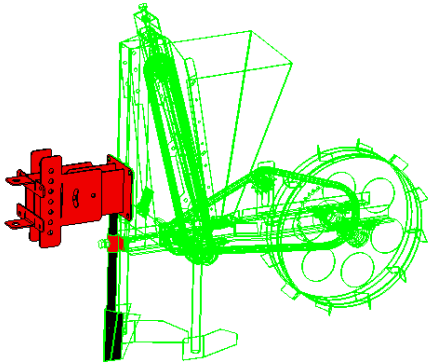
adjustable tool carrier

Used to connect planter to

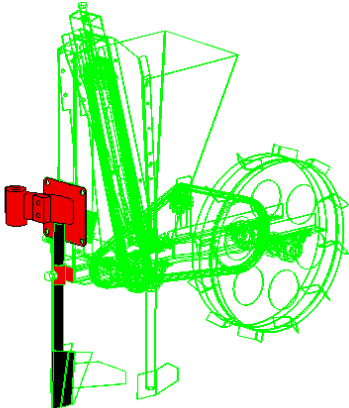
Tractor's frame



Walk-behind tractor BCS

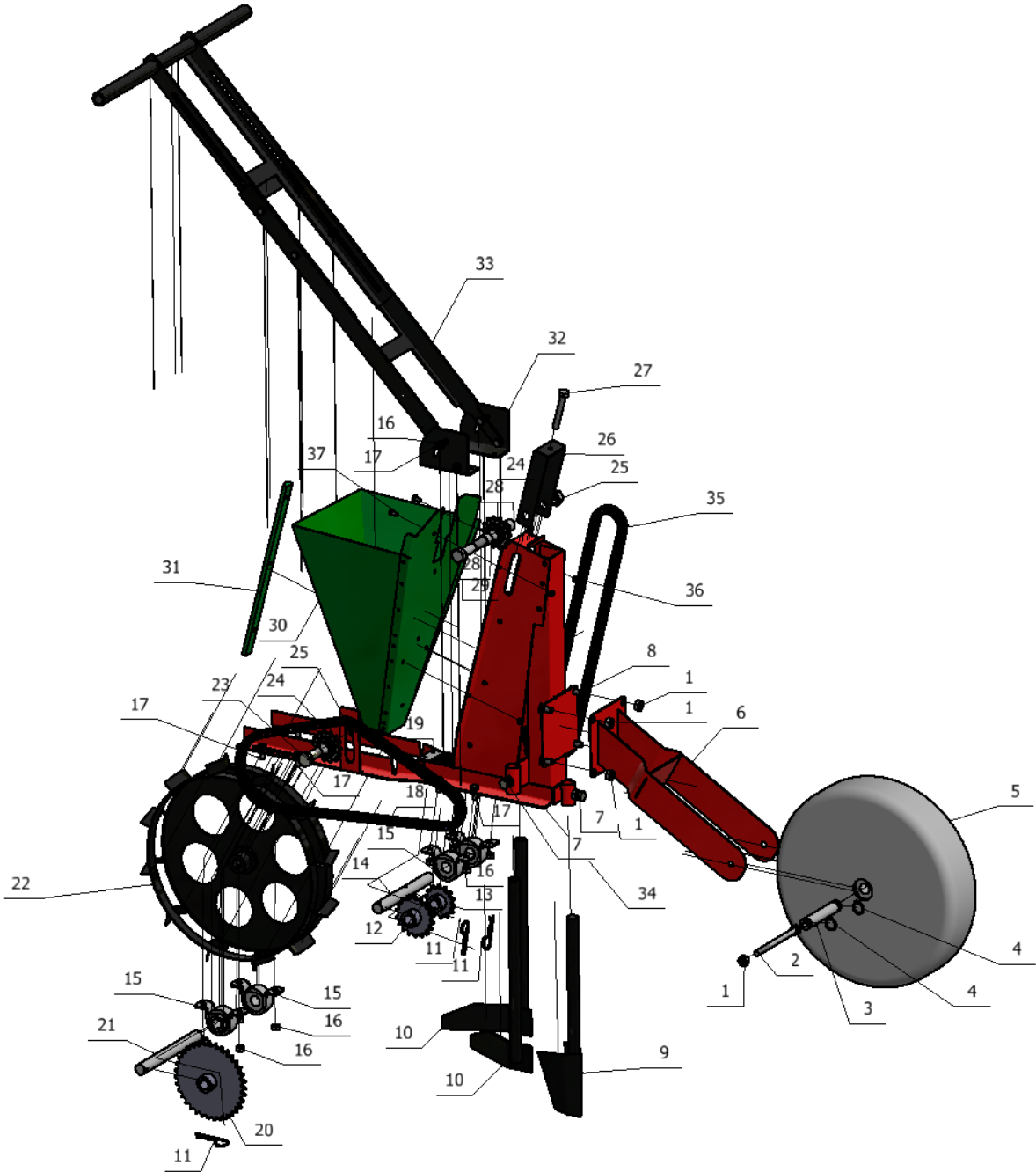


Walk-behind tractor MTZ



If your walk-behind tractor is not listed don't worry - we will make an adjustable tool carrier for you according given specifications.

Spare parts



Nº	name	quantity
1	M10 nut	5
2	M10 x 120 screw	1
3	Front wheel axle (∅20, L=108.50 mm)	1
4	External ring (∅20)	2
5	Pneumatic wheel 380X4K	1
6	fork	1
7	M10 x 15 screw	3
8	M10 x 20 screw	4
9	shoe	1
10	Soil cover	2
11	Hairpin Cotter Pin	3
12	Sprocket (08B-1, z=12,14,16,18)	1
13	Sprocket (08B-1, z=14)	1
14	axle (∅20, L=175 mm)	1
15	housing PP204 and ball bearing UC204 (shaft: 20 mm)	4
16	M8 nut	12
17	M8 x 30 screw	12
18	08B-1 roller chain (L=1040 mm)	1
19	Strip brush ALU H5-45 (L=50 mm)	1
20	Sprocket (08B-1, z=35)	1
21	axle (∅20, L=175 mm)	1
22	Rear wheel	1

23	M16 x 35 screw	1
24	Idler Sprocket (08B-1, z=14)	2
25	M16 nut	2
26	tensioner	1
27	M10 x 60 screw	1
28	Round tube (20x2, L=16)	2
29	M16 x 85 screw	1
30	hopper	1
31	Roller chain guide (GC-T1 10B 15x20, L=355 mm)	1
32	Handle brackets	2
33	handle	1
34	frame	1
35	08B-1 roller chain with 21 buckets (see section "Diameters of buckets") for available diameters of buckets	1
36	M6 nut	4
37	M6 x 10 screw	4

ATITIKTIES DEKLARACIJA / EC DECLARATION OF CONFORMITY

Gamintojas:
Manufacturer:

MB LTL APSKAITA

Adresas:
Address:

Prekybos g. 13-1, Panevėžys, 35104, Lietuva

Įmonės kodas:
Identification Number:

304979613

Prekės pavadinimas - tipas -serijinis numeris:
Product name -type - serial number:

**česnakų sodinamoji
garlic planter**

GCPHC-1

Aprašymas / Description

Česnakų sodinamoji GCPHC-1 stumiama rankomis naudojama ūkininkams ir daržininkams palengvinti česnakų sodinimą.

The GCPHC-1 garlic planter is hand-pushed equipment making the work of farmers and gardeners easier when they plant garlic.

Produktas atitinka visas atitinkamas nuostatas:
The product meets all relevant provisions:

Mašinų direktyva 2006/42/EC
Machinery Directive 2006/42/EC

Techniniai standartai taikomi vertinant atitikties deklaraciją:
The harmonized technical standards and technical standards applied to the conformity assessment:

EN ISO 12100-2:2003, EN 1050:1996

Atitikties įvertinime naudojama procedūra:
To the conformity assessment applied procedure:

Mašinų direktyva 2006/42/EC, straipsnis 12, priedas VIII
Machinery Directive 2006/42/EC, Article 12, Annex VIII

Patvirtiname, kad nurodytas įrenginys atitinka aukščiau nurodytų direktyvų reikalavimus.

We declare that the through above mentioned specifications defined equipment complies with requirements of above cited Directives.

Išdavimo vieta: Place of issue:	Panevėžys	Pasirašyta įmonės įgalioto žmogaus: Signed by the person entitled to deal in in the name of producer:	
Išdavimo data: Date of issue:	10.1.2022		
Vardas: Name: Kristina Muralienė	Pareigybė: direktorė Grade: director	Parašas: Signature:	Antspaudas: Stamp: